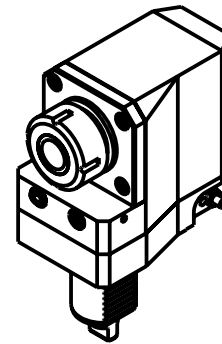
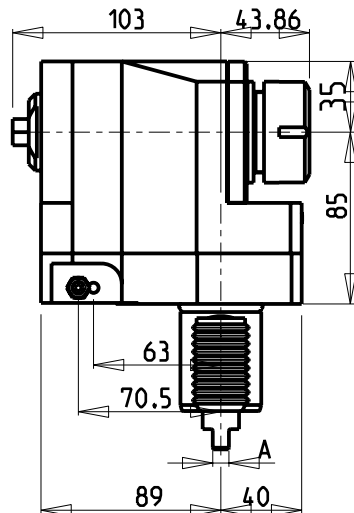
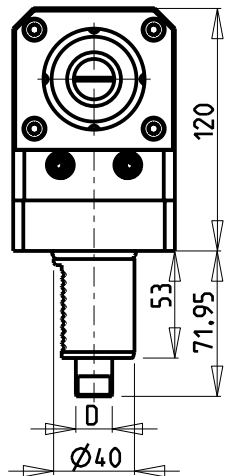
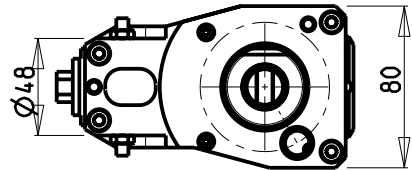
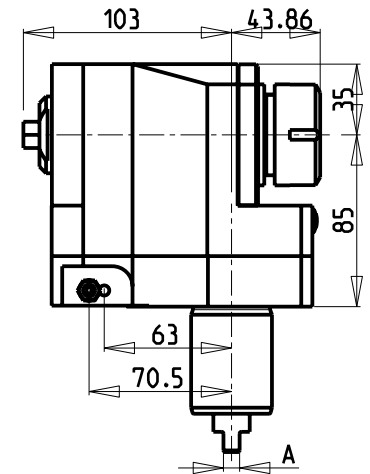
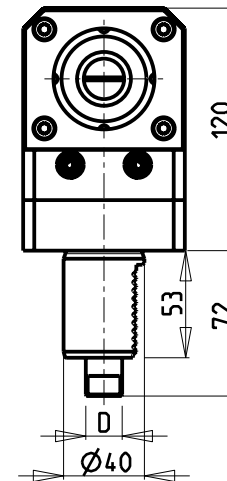
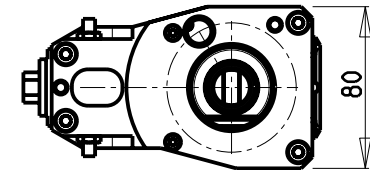


VDI SINISTRO
VDI Left hand
VDI Link



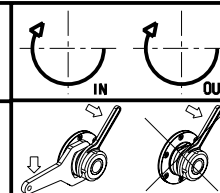
VDI DESTRO
VDI Right hand
VDI Recht



Cod. MT	Mandrino Spindle Spindel	I	RPM	Lubrificazione int. Coolant through Innenkuehlung	Lubrificazione est. Ext. coolant Aussenkuehlung	Torretta Turret Revolver	A	D	CHIAVI NON INCLUSE Keys not included Schlüssel nicht einbegriffen		VDI
									CHSTER32	CHUB13	
141DUP_R32_40A20	ER32	1:1	4000		X	DUPLOMATIC	8	18	CHSTER32	CHUB13	SINISTRO - Left - Link
141DUP_R32_40A21	ER32	1:1	4000		X	DUPLOMATIC COMEV	6	12	CHSTER32	CHUB13	SINISTRO - Left - Link
141DUP_R32_40A00	ER32	1:1	4000		X	DUPLOMATIC	8	18	CHSTER32	CHUB13	DESTRO - Right - Recht
141DUP_R32_40A01	ER32	1:1	4000		X	DUPLOMATIC COMEV	6	12	CHSTER32	CHUB13	DESTRO - Right - Recht

DUPLOMATIC
VDI 40

MODULO MOT. RADIALE ARRETRATO VDI40
Radial rear-set driven tool VDI40
Radial angetriebenes Werkzeug VDI40



M.T. srl
Via dei Tamerici 1/3
Tel. 0541/956034-957884
Fax 0541/956341
47842 S. GIOVANNI IN M. (RN)
e-mail: mima@mlmarchetti.com
http://www.mlmarchetti.com

PRODUZIONE MODULI ROTANTI



PAGINA DUP013-1-00